

MEDICAL PRODUCTS GROUP

Multiple Output

340/420 Watt Series

- A family of multiple output, 340/420Watt, universal input switching power supplies
- Approved for use in medical applications
- Meets international and domestic safety agency approvals
- Active power factor correction (PFC)
- High MTBF >100,000 hours



SPECIFICATIONS

ELECTRICAL INPUT

Universal, 90 – 264Vac, 47-63Hz, Single phase

Inrush current 30A Max @115Vac cold start
60A Max @230Vac cold start

OUTPUT

Ripple* 1% pk-pk of output voltage measured differentially

Max start up time 5 seconds

Holdover 16mS min; 17mS @ 230Vac full load

Power good signal Trail time: 100 – 500 mS;
Leading time: 1 mS minimum

*Ripple voltage measurement is done with an oscilloscope set at 20MHz bandwidth and output terminated with a 0.1µF ceramic capacitor & 47µF aluminum capacitor at full load and nominal line.

EFFICIENCY 70% typical full load

PROTECTION

Short-Circuit**, Over-Voltage***

**Power shut down: when output 1, 2, 3, 4, 5 shorted to GND. To be reset by recycle of input power. No damage to this power supply when Output 6 shorted to GND.

***Output voltage will be clamped at 5.8 – 6.5V. Power supply will be shut down when OVP occurs. Recycle input power to reset OVP.

LEAKAGE CURRENT

150µA max @ full load & 115Vac
300µA max @ full load & 230Vac

MECHANICAL

AC Socket IEC -320 C14, 10A/250Vac

AC Switch 16A/250V

DC Output

400mm cable w/ Molex 39-01-2200 (housing) or EQ:

Output 1: Pin 1, 2, 11 Output 2: Pin 4, 6, 19, 20
Output 3: Pin 10 Output 4: Pin 18
Output 5: Pin 12 Output 6: Pin 9
GND: Pin 3, 5, 7, 13, 15, 16, 17 Power Good: Pin 8
Output 1 + sense: Pin 11 Power On/Off: Pin 14
Output 1 - sense: Pin 13

400 & 155mm cable w/ Molex 8981-4P (housing) or EQ:

Pin 1: Output 3 Pin 2, 3: GND Pin 4: Output 2

400 & 155mm cable w/ Molex 8981-4P (housing).

155mm cable w/ AMP 171822-4 (housing) or EQ:

- Molex 8981-4P
Pin 1: Output 3 Pin 2, 3: GND Pin 4: Output 2
- AMP 171822-4
Pin 1: Output 2 Pin 2, 3: GND Pin 4: Output 3

Dimensions

(LxWxH) 150mm x 140mm x 86mm

Weight typical 1950 grams

ENVIRONMENTAL

Operating Temperature 0°C to +40°C

(at full rated output power with natural convection cooling and in non-restricted environment)

Storage Temperature -20°C to +85°C

Operating Humidity 10 – 90% (non-condensing)

Storage Humidity 5 – 95% (non-condensing)

HI-POT TEST

Primary to FG 1500Vac / 1 minute @ 10mA max

EMI COMPLIANCE

FCC part 15J Class B

CISPR 22 (EN55022) Class B

SAFETY APPROVALS

IEC 601-1; EN60601-1

UL 2601 & cUL 2601

CE Mark

ORDERING INFORMATION

MODEL # OTE-ATX-340/420

Input Voltage	Input Freq.	Output Specifications			Output Current 340 Watts (115Vac)		Output Current 420 Watts (230Vac)	
		Volts DC	Ripple & Noise (mV)	Total Reg. (%)	Min Current (A)	Max Current (A)	Min Current (A)	Max Current (A)
90-264	47-63	+3.3	50	4	0.5	30	0.5	35
90-264	47-63	+5	50	5	5	30	11	40
90-264	47-63	+12	120	5	4	20	5	30
90-264	47-63	-5	50	10	0	1	0	1
90-264	47-63	-12	120	10	0	1	0	1
90-264	47-63	+5Vsb	50	5	0	2.0	0	2.0
		3.3V & +5V max. power			185 Watts		220 Watts	
		Total Output Power			340 Watts		420 Watts	

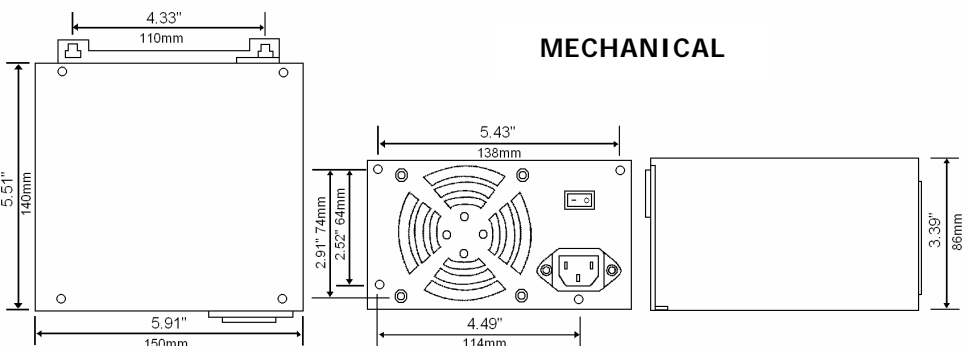
Over Power Protection: 105% - 160% of max load

Over Voltage Protection: +5V: 5.6 – 6.9V; +3.3V: 3.7 – 4.5V; +5Vsb: 5.6 – 6.9V

Power Good Signal: TTL logic high when DC outputs are within regulation

Input: 115V maximum continuous total DC output power shall not exceed 340W maximum output combined on +5V & +3.3V shall not exceed 185W

Input: 230V maximum continuous total DC output power shall not exceed 420W maximum output combined on +5V & +3.3V shall not exceed 220W



OPERATING TECHNICAL ELECTRONICS, INC.

1289 Hemphill Street, Fort Worth, Texas, 76104

Tel: 817-288-2600

Fax: 817-288-2605

www.operatingtech.com

email: sales@operatingtech.com